

Simply Switch Computers by Moving Your Mouse Across Screens

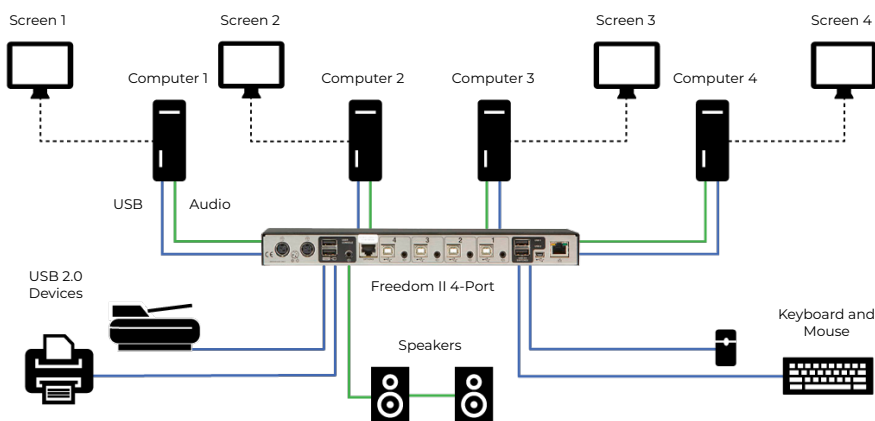
Switch between multiple computers and operating systems from one user workspace

With the Freedom II 4-Port and 8-Port Keyboard/Mouse Switches, you can access information and control operations across four or eight computers by simply moving your mouse from screen to screen. This saves desktop space and increases operator response time.

Freedom is ideal in command and control rooms, on trading room floors, airports, or in emergency call centers - wherever monitoring and controlling multiple computers is critical. The unique Freedom Glide-and-Switch technology also allows users to simultaneously access a mix of USB peripherals, including high-speed USB 2.0 devices as well as audio signals from all connected sources.

The setup is easy and no additional software or drivers are required. Bring your desktop switching to the next level and help operators to focus on their task instead of how to use their hardware.

Connection Diagram



Benefits and Features

Extended Desktop, Streamlined Desktop

Easily access information and control operations across four or eight systems with just one set of keyboard and mouse.

Glide-and-Switch Technology

Enables you to quickly switch computers by simply moving the mouse from monitor to monitor.

Better Situational Awareness

Optional LED monitor Indicators available to visually highlight the currently active screen/system.

Share Peripherals

Two additional independent USB ports enable you to connect USB 2.0 peripherals and switch between them.

Simplified Setup

No software is needed which won't create any security issues - a major concern for government, healthcare, and banking organizations.



KV0004A-R2

Part Numbers

KV0004A-R2	Freedom KM Switch - 4-Port
KV0008A-R2	Freedom KM Switch - 8-Port
KV0004A-LED	Freedom LED Indicator Kit
KV0004A-XTRA-LED	Freedom - Additional LED
KV0004/8A-RMK	Freedom - Rackmount Kit 4/8-Port